



Available in separated components, the Cuisio system allows to equip all types of drawers, especially the widest ones.

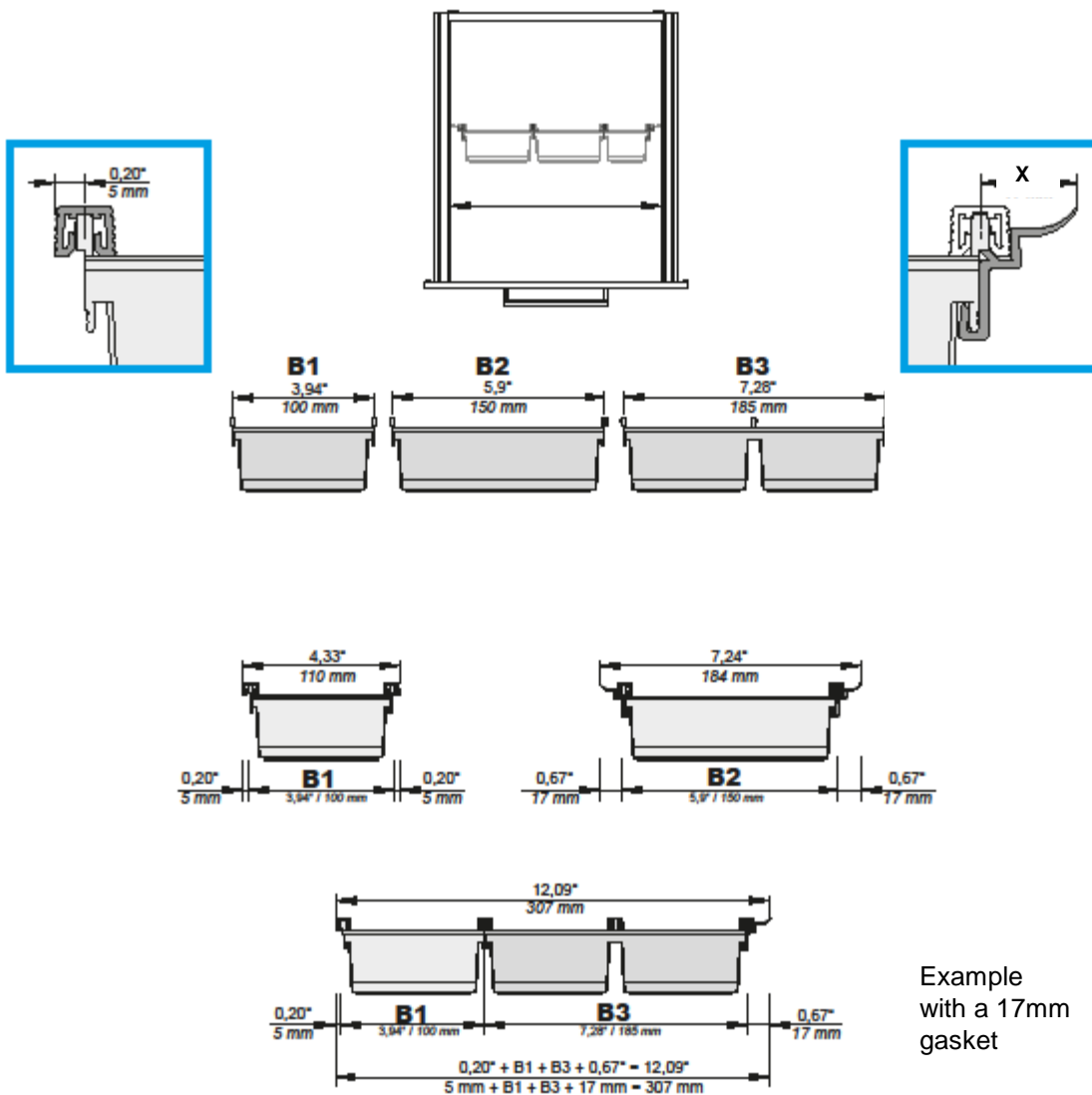


### Advantages

- The Cuisio different components are available separately, which allows to personalise your storage in drawers of any widths.
- Designed for drawers of at least 473mm (18 5/8") internal depth and 55mm (2 3/16") of internal height.
- The extension in depth #20625011, cuttable to size, allows to fit in drawers up to 623mm (24 1/2") in depth, for an internal width not exceeding 488mm (19 1/4"). If your drawer have a bigger width, we recommend to center the Cuisio divider and use the space remaining to store long utensils as a soup ladle or long wood spoon.



How to chose the components to order :



X (gasket) = 10 – 13 -17 or 24mm

Product list:

100mm (3 7/8")

150mm (5 7/8")

185mm (7 5/16")

*Divider*



20519211



205192905



20529211



205292905



20509211



205092905

*Separator*



20549211



205492905



20559211



205592905



20539211



205392905

*Knife block*



#2051100



#2052100

*Bumpers*



#90645010

*Connexion  
aluminum profile*



90605010



906050170



906050900

Finishing side gable



205812



2058905

Side gasket



20581011 - 10mm - 205810905  
20581311 - 13mm - 205813905  
20589211 - 17mm - 205892905  
20582411 - 24mm - 205824905

### Depth extension



#20625011

Clear	Graphite	Black	Description	Type of packaging
20509211	205092905		DOUBLE INSERT 185X473MM CLEAR (5)	5 per BOX
20529211	205292905		LARGE INSERT 150X473MM CLEAR (5)	5 per BOX
20519211	205192905		SMALL INSERT 100X473MM CLEAR (5)	5 per BOX
20539211	205392905		DIV.DBLE.INSERT/20509211 CLEAR (10)	10 per BAG
20559211	205592905		DIV.LARGE INSERT/20529211 CLR. (10)	10 per BAG
20549211	205492905		DIV.SMALL INSERT/20519211 CLR. (10)	10 per BAG
205811	2058905		SIDE END GABLE 473MM WHT/TRANS	UNIT
20589211	205892905		GASKET A 17X635MM WHT/TRAN (10)	10 per BAG
20581011	205810905		GASKET E 10X635MM WHT/TRAN (10)	10 per BAG
20581311	205813905		GASKET B 13X635MM WHT/TRAN (10)	10 per BAG
20582411	205824905		GASKET F 24X635MM WHT/TRAN (10)	10 per BAG
2051100	2051100		KNIFE BLOCK FOR 100MM GREY	PRPR
20521100	2052100		KNIFE BLOCK FOR 150MM GREY	PRPR
90605010	906050170	906050900	ALUMINUM PROFILE 471MM ALU (10)	10 per BAG
20625011	206250905		CUISIO EXTENSION 573MM TO 600MM CLEAR	UNIT
90645011	90645011		BUMPER STRIPS (10 x 4)	BAG